



Chicago
3066 Group

 **Flexsteel**[®]
America's Seating Specialist

2/01

Leather

Chicago
3066 Group – Motion Sofas/Sectionals

-20, -23, -60, -604, -44,
 -62, -65, -66, -67, -68 -47, -48

BACKS:

Attached Back		
Semi-attached Back	▲	▲

CUSHIONS:

High Resiliency Luxury Cushion (HC)	▲	▲
X-Heavy Density, High Resiliency (HR)	●	●

TAILORING:

Contrasting Welt		
Contrasting Pillows		
Arm Covers		
Fabric Classifications:		

SEAT CONSTRUCTION:

Flexsteel Blue Ribbon Spring	▲	
Flexsteel Blue Ribbon Seat Spring		
Removable Cushion		▲
Attached Cushion	▲	
Mini Deck		▲

MATTRESS:

Cozy Comfort Mattress (W)	▲	
Air Coil Mattress (V)		●

- ▲ Standard
- Optional

	Height	Seat Width	Overall Width	Seat Depth	Overall Depth	Open Depth	Arm Height	Seat Height	Mattress Size	Pillow Number
3066-23 Full Wedge	41	42	63	23	39			20		
3066-67 LAF Reclining Sofa	41	72	82	23	41		25	20		
3066-68 RAF Reclining Sofa	41	72	82	23	41		25	20		
3066-65 LAF Reclining Love Seat	41	48	57	23	41		25	20		
3066-66 RAF Reclining Love Seat	41	48	57	23	41		25	20		
3066-20 Love Seat	41	43	60	22	39		25	20		
3066-62 Dbl Reclining Sofa	41	70	87	23	41		25	20		
3066-60 Dbl Reclining Love Seat	41	46	63	23	41		25	20		
3066-604 Rocking Reclining Love Seat	44	46	63	22	37		25	20		
3066-44 Queen Sleeper	41	67	83	23	42	93	25	20	59½ x 71½	
3066-47 Left Queen Sleeper	41	68	77	23	41	93	25	20	59½ x 71½	
3066-48 Right Queen Sleeper	41	68	77	23	41	93	25	20	59½ x 71½	

Dimensions are subject to variance. Options are subject to change without notice.

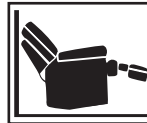
Rev. 9/07

As pictured: 3066-67, -23, -66, pictured body leather no longer available

Leather Vantage available, refer to price list

Also available in fabric, see 7066 group

Matching recliner available, see 3266 recliner



Zero Wall Proximity
 allows full reclining with modular group set only inches from wall



Hidden Recliner Release
 for easy, trouble-free operation



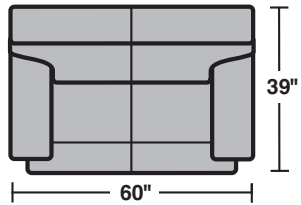
Recliner Ottoman/Footrest Note:
TO RAISE FOOTREST: Move recliner handle toward back to release ottoman; footrest will rise.
TO CLOSE FOOTREST: Apply pressure to footrest in a downward motion. Attempting to lower the ottoman with handle can damage the recliner.

Note: Recliner Ottoman/Footrest Note applies to 3066-604 Only

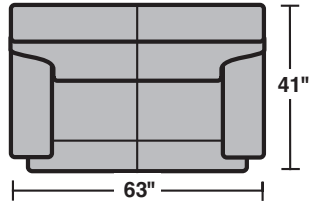
Chicago
3066 Group – Motion Sofas/Sectionals

Components

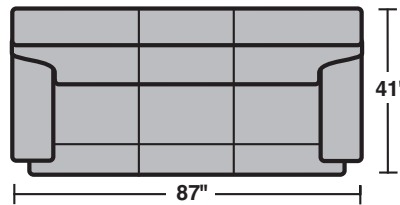
Scale 1/4" = 1'



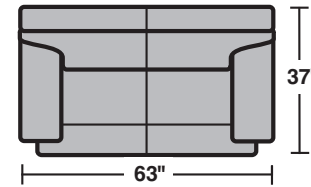
3066-20
 Love Seat



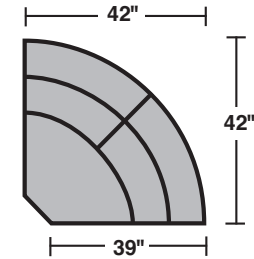
3066-60
 Double Reclining Love Seat



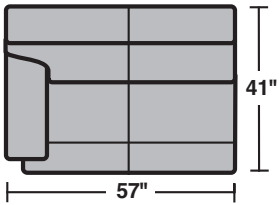
3066-62
 Double Reclining Sofa



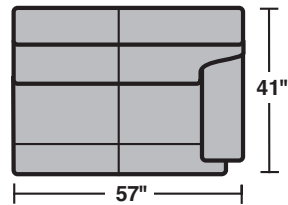
3066-604
 Rocking Reclining Love Seat



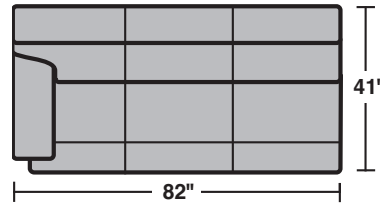
3066-23
 Full Wedge



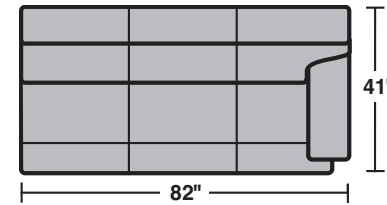
3066-65
 Left Facing One Arm
 Reclining Love Seat



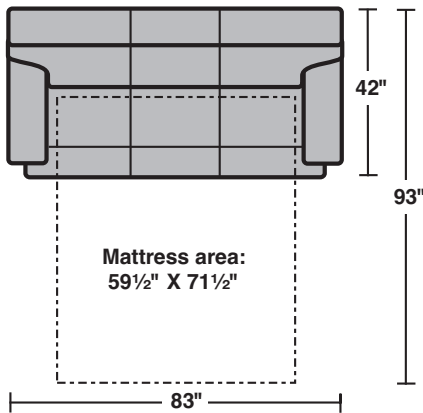
3066-66
 Right Facing One Arm
 Reclining Love Seat



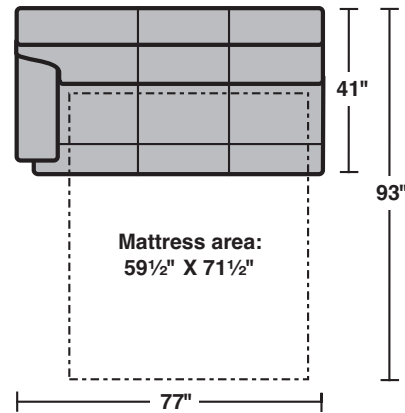
3066-67
 Left Facing One Arm
 Reclining Sofa



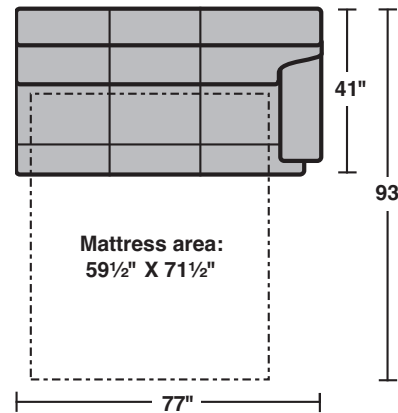
3066-68
 Right Facing One Arm
 Reclining Sofa



3066-44
 Queen Sleeper



3066-47
 Left Facing Queen Sleeper

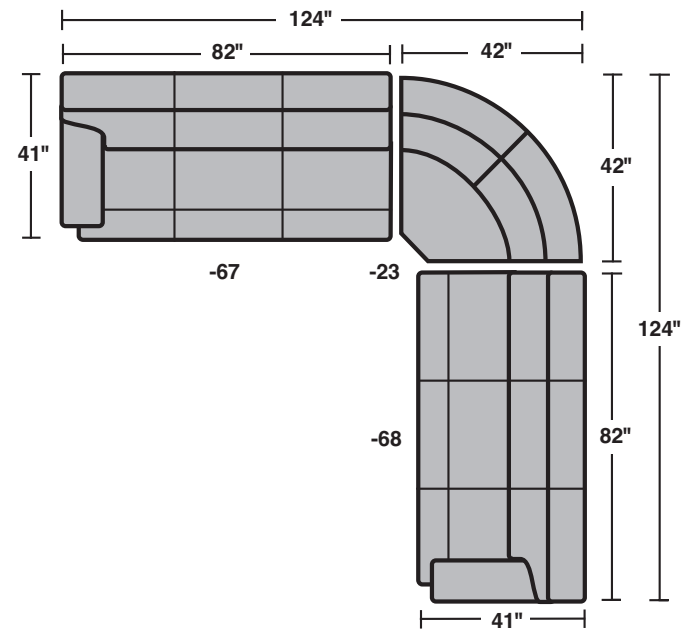
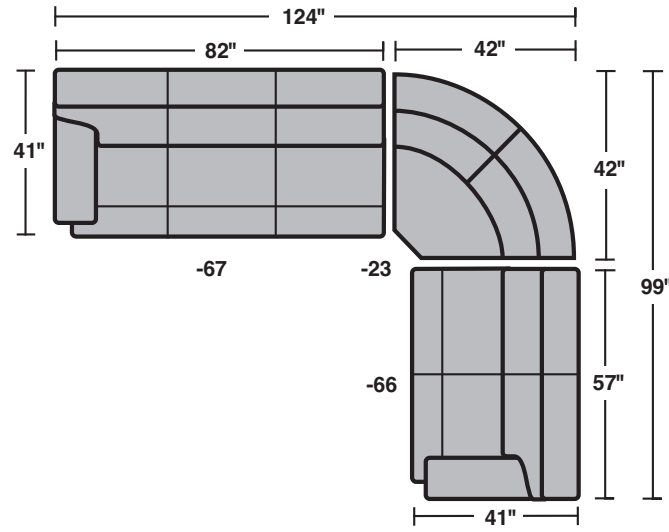
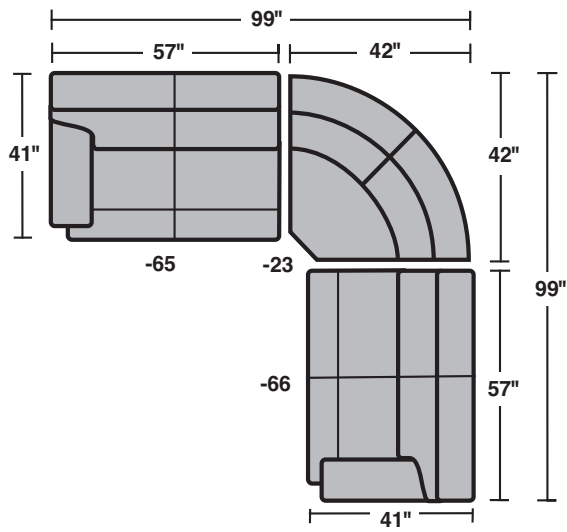


3066-48
 Right Facing Queen Sleeper



Chicago
3066 Group – Motion Sofas/Sectionals

Configurations



Scale 1/4" = 1'

Rev. 9/07